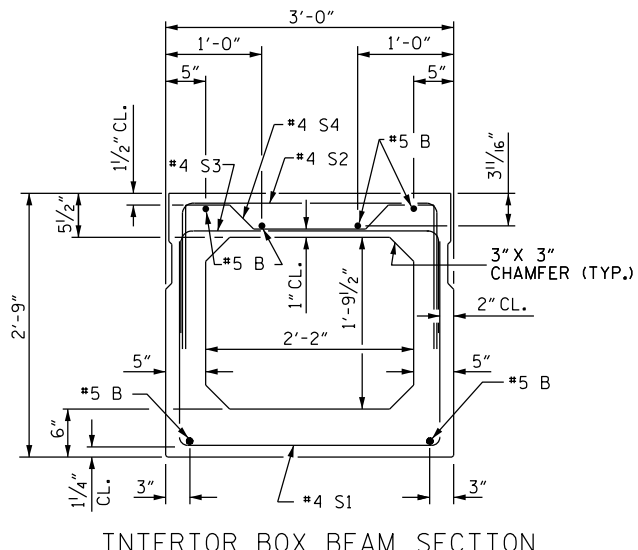


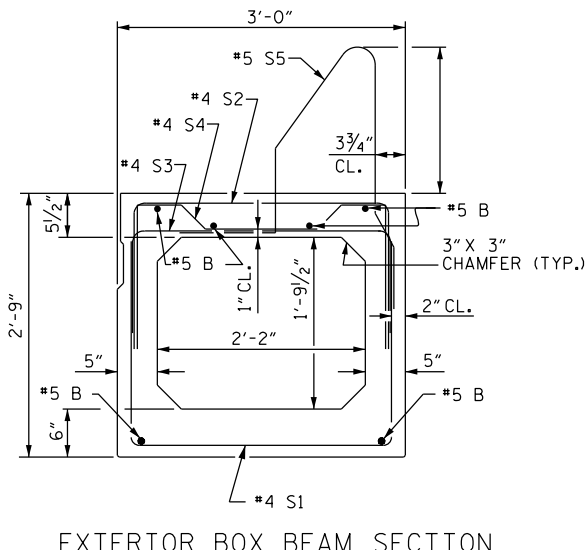
END ELEVATION

SHOWING PLACEMENT OF #5 & #4 "A" BARS AND LOCATION OF DOWEL HOLES. (INTERIOR BOX BEAM SECTION SHOWN-EXTERIOR SECTION SIMILAR EXCEPT SHEAR KEY LOCATION. STRAND LAYOUT NOT SHOWN.)



INTERIOR BOX BEAM SECTION

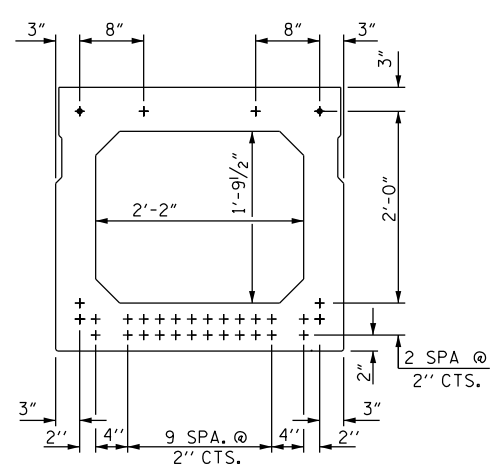
(STRAND LAYOUT NOT SHOWN)



EXTERIOR BOX BEAM SECTION

(STRAND LAYOUT NOT SHOWN)

0.6" Ø LOW RELAXATION STRAND LAYOUT



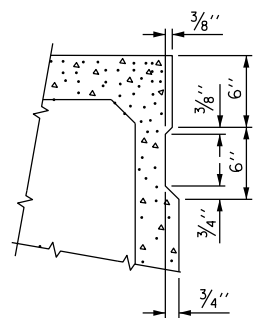
TYPICAL STRAND LOCATION

(... STRANDS REQUIRED)
(INTERIOR BOX BEAM SECTION SHOWN-EXTERIOR SECTION SIMILAR EXCEPT SHEAR KEY LOCATION)

DEBONDING LEGEND

● FULLY BONDED STRANDS

GRADE 270 STRANDS	
	0.6" Ø L.R.
AREA (SQUARE INCHES)	0.217
ULTIMATE STRENGTH (LBS. PER STRAND)	58,600
APPLIED PRESTRESS (LBS. PER STRAND)	43,950



SHEAR KEY DETAIL

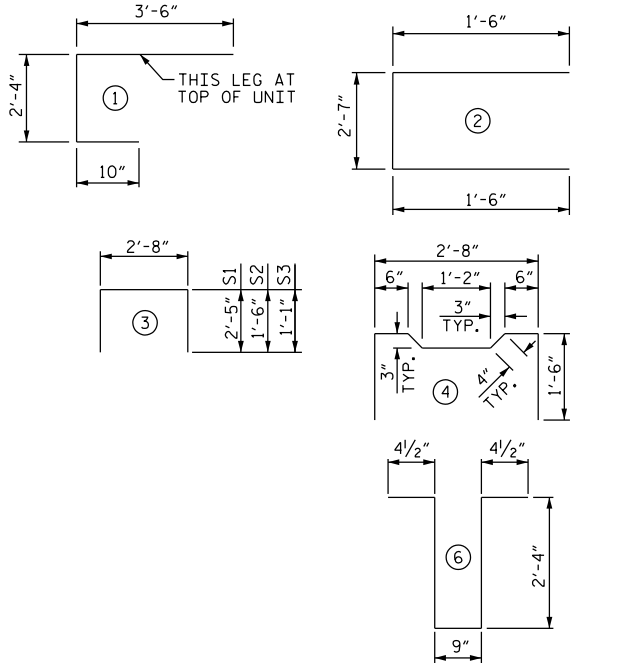
NOTE: OMIT SHEAR KEY ON OUTSIDE FACE OF EXTERIOR BOX BEAMS.

END VIEW
(SHOWING #4 "S" BARS IN END OF BEAM)

DETAIL "B"
EXTERIOR UNIT SHOWN, INTERIOR UNIT SIMILAR EXCEPT OMIT #5 S5 BARS. "B" BARS AND "A" BARS NOT SHOWN.

CHAMFER DETAIL
SHOWING 6" VOID CHAMFER

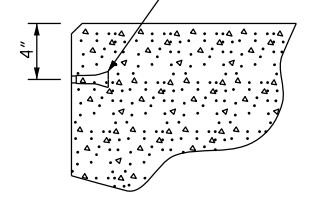
BAR TYPES



ALL BAR DIMENSIONS ARE OUT TO OUT

BILL OF MATERIAL FOR ONE BOX BEAM SECTION							
BAR	NUMBER	SIZE	TYPE	EXTERIOR UNIT		INTERIOR UNIT	
				LENGTH	WEIGHT	LENGTH	WEIGHT
A1	10	#5	1	6'-8"	70	6'-8"	70
A2		#4	2	5'-7"		5'-7"	
B		#5	STR				
K1		#4	6	6'-2"		6'-2"	
K2		#4	STR	2'-7"		2'-7"	
S1		#4	3	7'-6"		7'-6"	
S2		#4	3	5'-8"		5'-8"	
S3		#4	3	4'-10"		4'-10"	
S4		#4	4	5'-10"		5'-10"	
* S5		#5	5			--	--
REINFORCING STEEL				LBS.		LBS.	
* EPOXY COATED REINF. STEEL				LBS.		LBS.	
--- P.S.I. CONCRETE				CU. YDS.		CU. YDS.	
0.6" Ø L.R. STRANDS				No.		No.	

PERMITTED THREADED INSERT CAST IN OUTSIDE FACE OF EXTERIOR UNIT AND RECESSED 3/8" SIZE TO BE DETERMINED BY CONTRACTOR.



THREADED INSERT DETAIL

ASSEMBLED BY :	DATE :	MAA/GM
CHECKED BY :	DATE :	RWW/TMG
DRAWN BY : TLA 5/05	REV. 10/1/11	MAA/THC
CHECKED BY : GM 6/05	REV. 1/15	
	REV. 12/17	

DOCUMENT NOT CONSIDERED FINAL UNLESS ALL SIGNATURES COMPLETED

REVISIONS						SHEET NO.
NO.	BY:	DATE:	NO.	BY:	DATE:	TOTAL SHEETS
1			3			
2			4			

PROJECT NO. _____
_____ COUNTY
STATION: _____
SHEET _ OF _

STATE OF NORTH CAROLINA
DEPARTMENT OF TRANSPORTATION
RALEIGH
STANDARD
3'-0" X 2'-9"
PRESTRESSED CONCRETE
BOX BEAM UNIT
SPAN " _ "